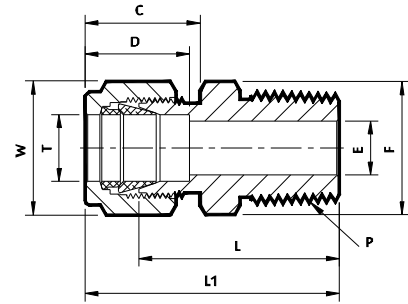
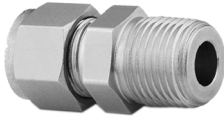


## 2.1 Male Connector

### 01. Fractional Tube x NPT (M)

Material - **SS 304 | SS 316**



Sr. No.	TUBE OD Ø T	NPT Male Pipe Size P	Ref. Part No.		ØE	D	C	L	L1	Body Hex F	Nut Hex W
			SS 304 MCD4	SS 316 MCD6							
Dimensions in Inches											
1	1/8 x 1/8		2MCD2Nx4	2MCD2Nx6	0.09	0.50	0.60	0.94	1.20	7/16	7/16
2	1/8 x 1/4		2MCD4Nx4	2MCD4Nx6	0.09			1.14	1.40	9/16	
3	1/4 x 1/8		4MCD2Nx4	4MCD2Nx6	0.19	0.60	0.70	1.00	1.29	1/2	9/16
4	1/4 x 1/4		4MCD4Nx4	4MCD4Nx6	0.19			1.20	1.49	9/16	
5	1/4 x 3/8		4MCD6Nx4	4MCD6Nx6	0.19			1.22	1.51	11/16	
6	1/4 x 1/2		4MCD8Nx4	4MCD8Nx6	0.19			1.47	1.76	7/8	
7	5/16 x 1/8		5MCD2Nx4	5MCD2Nx6	0.19	0.64	0.73	1.05	1.34	5/8	5/8
8	5/16 x 1/4		5MCD4Nx4	5MCD4Nx6	0.25			1.23	1.52	5/8	
9	5/16 x 3/8		5MCD6Nx4	5MCD6Nx6	0.25			1.25	1.54	11/16	
10	5/16 x 1/2		5MCD8Nx4	5MCD8Nx6	0.25			1.50	1.79	7/8	
11	3/8 x 1/8		6MCD2Nx4	6MCD2Nx6	0.19	0.66	0.76	1.10	1.39	11/16	11/16
12	3/8 x 1/4		6MCD4Nx4	6MCD4Nx6	0.28			1.28	1.57	11/16	
13	3/8 x 3/8		6MCD6Nx4	6MCD6Nx6	0.28			1.28	1.57	11/16	
14	3/8 x 1/2		6MCD8Nx4	6MCD8Nx6	0.28			1.53	1.82	7/8	
15	1/2 x 1/4		8MCD4Nx4	8MCD4Nx6	0.28	0.90	0.86	1.31	1.71	13/16	7/8
16	1/2 x 3/8		8MCD6Nx4	8MCD6Nx6	0.38			1.31	1.71	13/16	
17	1/2 x 1/2		8MCD8Nx4	8MCD8Nx6	0.41			1.53	1.93	7/8	
18	1/2 x 3/4		8MCD12Nx4	8MCD12Nx6	0.41			1.59	1.99	1.1/16	
19	5/8 x 1/2		10MCD8Nx4	10MCD8Nx6	0.47	0.96	0.86	1.53	1.93	1	1
20	5/8 x 3/4		10MCD12Nx4	10MCD12Nx6	0.50			1.59	1.99	1.1/16	
21	3/4 x 1/2		12MCD8Nx4	12MCD8Nx6	0.47	0.96	0.86	1.59	1.99	1.1/16	1.1/8
22	3/4 x 3/4		12MCD12Nx4	12MCD12Nx6	0.62			1.59	1.99	1.1/16	
23	1 x 1/2		16MCD8Nx4	16MCD8Nx6	0.47	1.23	1.04	1.78	2.26	1.3/8	1.1/2
24	1 x 3/4		16MCD12Nx4	16MCD12Nx6	0.62			1.78	2.26	1.3/8	
25	1 x 1		16MCD16Nx4	16MCD16Nx6	0.88			1.97	2.45	1.3/8	

- NOTE : ① The E Dimension is the minimum opening & Fittings of this group may be back drilling to lager ID at pipe thread or straight thread end  
 ② Dimension L1, C, D is shown in the finger-tight position.  
 ③ NPT thread as per ANSI B 1.20.1.